

- Input voltage 230VAC
- Output DC voltage, non-stabilized
- NAPNEST02.01 23V/0.7A
- NAPNEST02.21 22V/1.8A



Basic Characteristics

NAPNEST02 is used as a source of safety extra low voltage (SELV) to feed electronic devices. Its output voltage is direct-current, non-stabilized, with a certain ripple depending on load. There are two basic versions with different output power. The type range of these power supplies is open, which means that new versions are available upon the customer's request. The mains supply includes a blow-out fuse, overvoltage protection with a varistor, and an interference filter. Then, there is a transformer and a rectifier with a smoothing condenser. The presence of output voltage is indicated with a lighting LED. The short-circuit strength is ensured by the fuse before the transformer. When designing your application, make sure to avoid such overloads that would fail to blow the fuse.

The power supply is built on a printed circuit board. It is supplied with a frame for mounting on a DIN rail TS35 as standard. It can be also supplied without the frame, just with mounting holes. The power supply is not encased, its electric safety must be ensured by an additional cover or by mounting in an enclosed switchboard.

For detailed information, refer to the company documentation SofCon SCT 033.02.

Technical Data

Type	NAPNEST02.01	NAPNEST02.21	
Input voltage	230V +6 -10%, 50Hz ±2Hz		Mains part electric strength 4000VAC
Max. output current	0.7A	1.8A	Ambient working temperature 0 to +50°C
Output DC voltage	31.1V / 0A	28.2V / 0A	Dimensions .01 max. 140 x 75 x 70 mm 0.21 max. 140 x 75 x 86 mm
	26.4V / 0.4A	24.6V / 1A	
	23.5V / 0.7A	22.5V / 1.8A	
			Connector crimping, wire 0.15 to 2.5 mm ² terminals
Max. ripple	1.5V	3.5V	
Protection—tube fuse	T125mA/250V	T250mA/250V	
No-load input power	7VA	13VA	
Weight	0.6kg	1.2kg	

Ordering Information

The basic power supply model is fitted with a mounting frame, with no accessories. Upon agreement with the manufacturer, a power supply with different output voltage can be delivered.

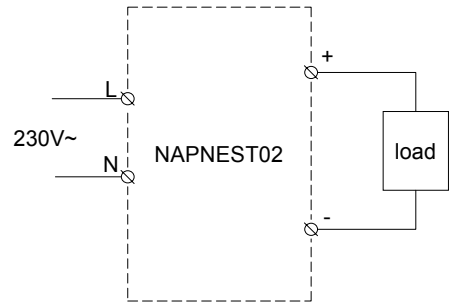
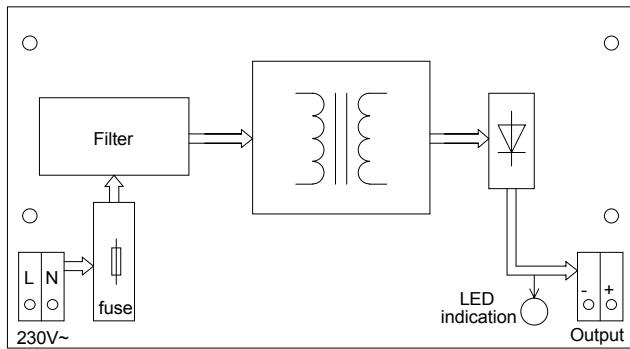
Please specify any special features in your order, such as:

NAPNEST02.01 without mounting frame

NAPNEST02.2x output voltage 18V

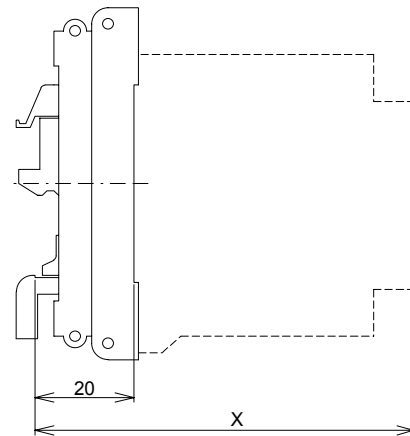
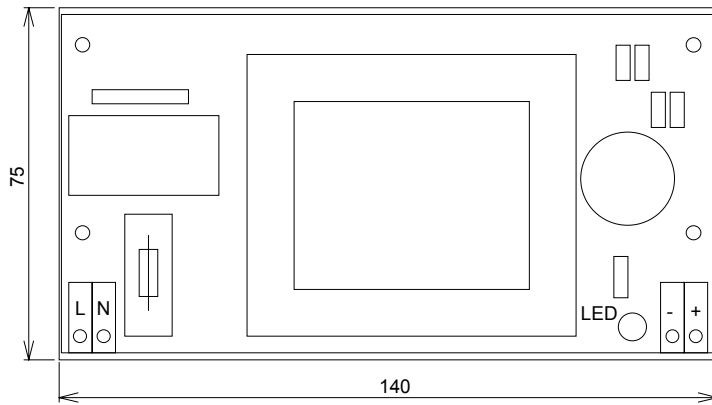
Specify accessories, such as:
 Tube fuse T250mA/250V.

Location of Connector terminals and Wiring



Example of connection

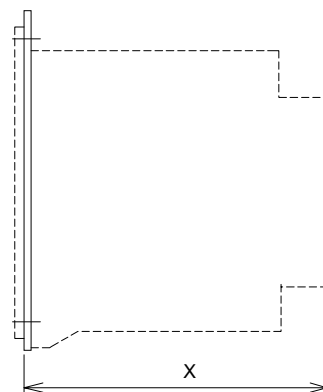
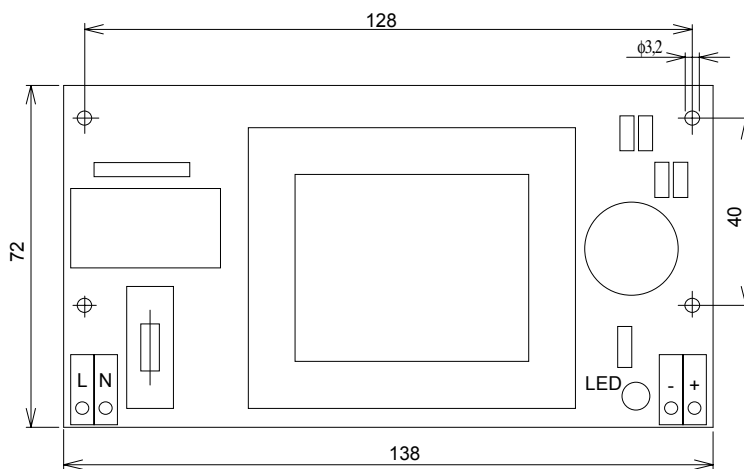
Mounting dimensions



Version with a mounting frame

NAPNEST02.01 X = 65

NAPNEST02.21 X = 80



Version without a mounting frame

NAPNEST02.01 X = 48
NAPNEST02.21 X = 63