

Connector Terminal Blocks and Adapters PX03 Adapter Module 24 pin



15.2

- Coupling terminal box—
adapter for 24 terminals to
connectors
- Connecting signals up to 50V



Basic Characteristics

The module is used as a coupling terminal box between a control system and its environment. One side is connected to flat cables with self-stripping connectors, the other side has connector terminals for cabling. Signals are electrically unaltered. Signals may be passive (contact, resistance) or active (voltage, current). Circuits are divided into 3 identical sections with 8 signals each. The odd pins of the X1, X2, and X3 connectors are interconnected and terminated on the COM1, COM2, and COM3 connector terminals of each section.

The module is built on a printed circuit board. It is supplied with a mounting frame for mounting on a DIN rail TS35 as standard. It can be also supplied without the frame, just with mounting holes. The module is not encased and should not be connected to mains voltage.

Technical data

Number of connector terminals	24 (3 x 8)
Rating capacity of a single connector terminal	1 A
Summary current in one section	max. 4 A
Electric strength	500 V
Ambient working temperature	0 to +70 °C
Dimensions	140 x 75 x 54 mm
Terminals	press, conductor 0,15 to 2,5 mm ²

Ordering Information

The basic model of PX03 is fitted with a mounting frame, without any accessories.

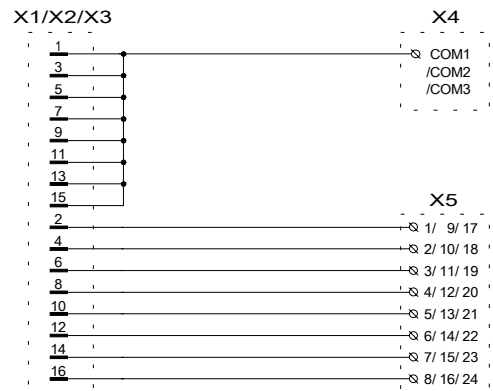
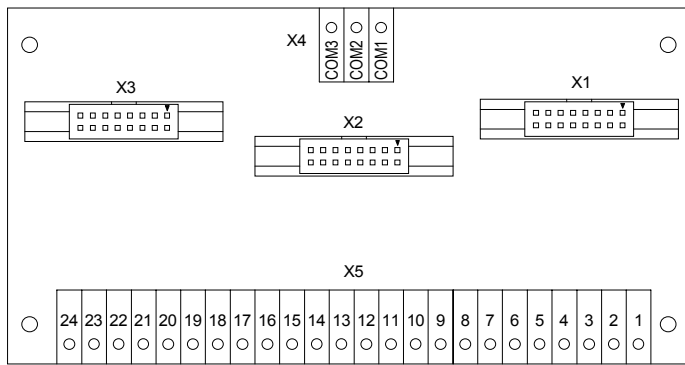
Please specify any special features in your order, such as:

PX03 without a mounting frame

Specify accessories:

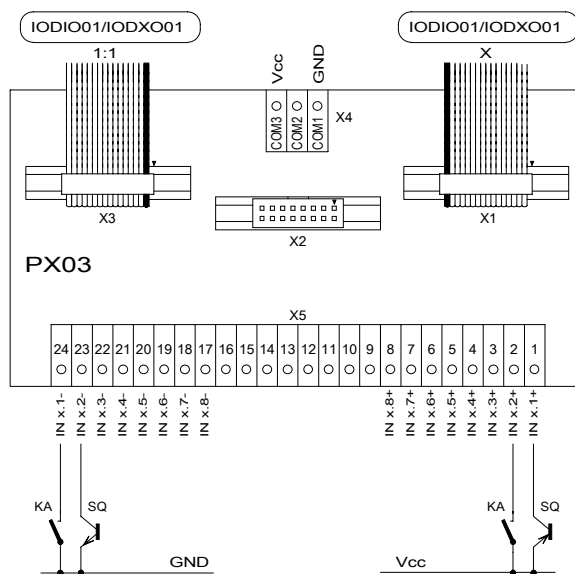
3 items PFL16 connector

Location of Connector terminals and Wiring

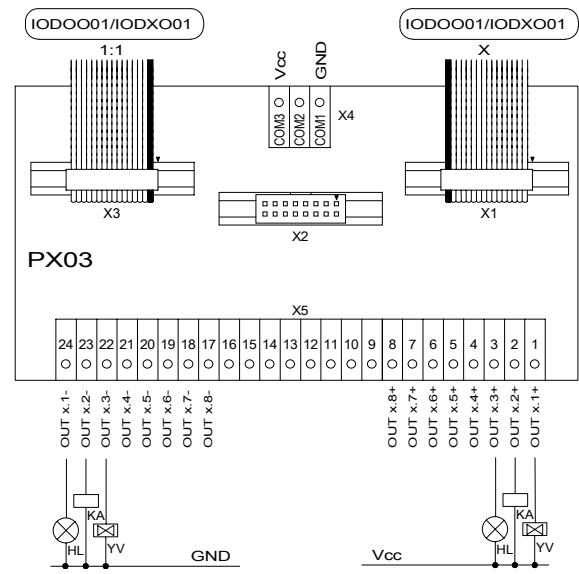


Connection of Inputs and Outputs to a KITV40 Control System using the PX03 Adapter Module

The terminal box X5 of the PX03 module allows connecting both inputs and outputs, both in connection with the common minus pole and in connection with the common plus pole of power supply; see the pictures below. The modules are connected to the IO expansion cards of control system digital inputs and outputs by a flat cable in 1:1 arrangement (connection with common minus) or with crossed wires (connection to common plus). The X2 connector is unused only for clarity reasons.

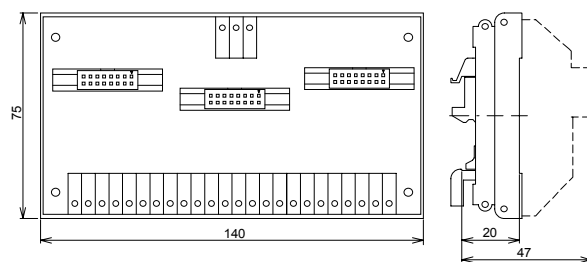


Input connection

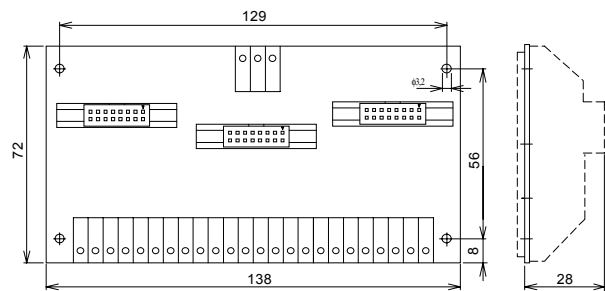


Output connection

Mounting dimensions



Version with a mounting frame



Version without a mounting frame